

# Self-assembly instructions

Fig.1

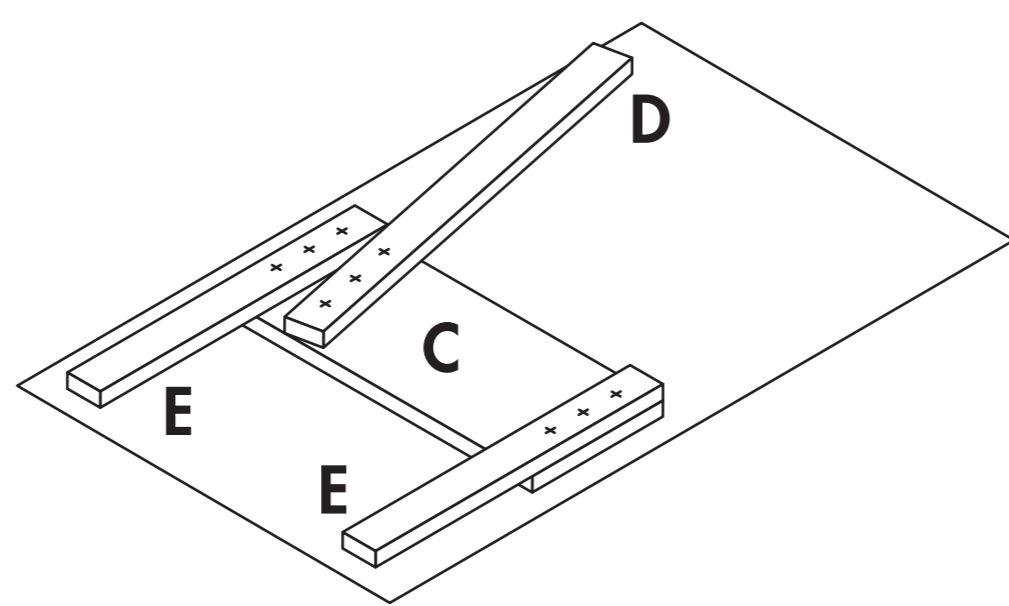


Fig.2

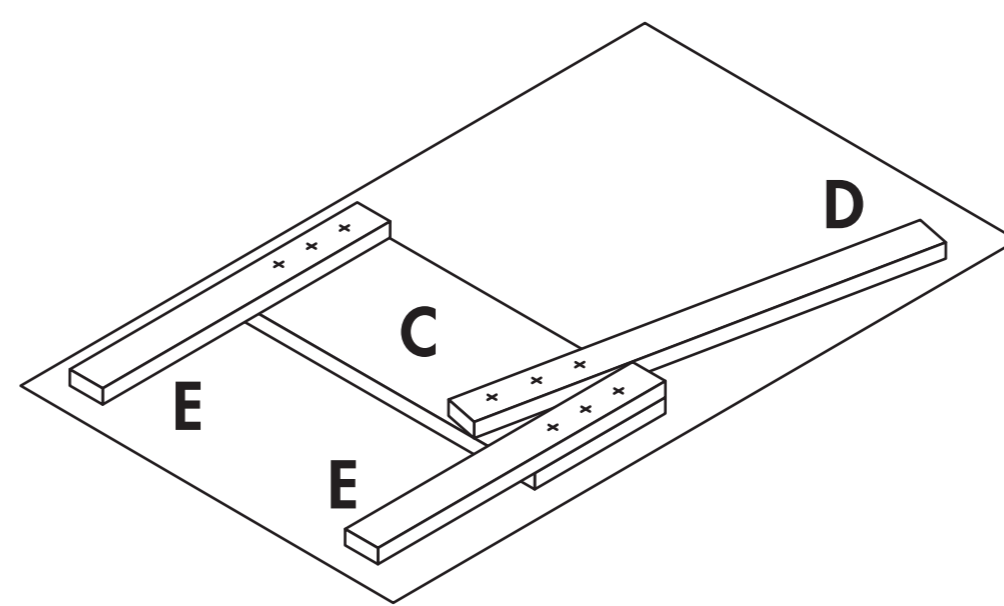


Fig.3

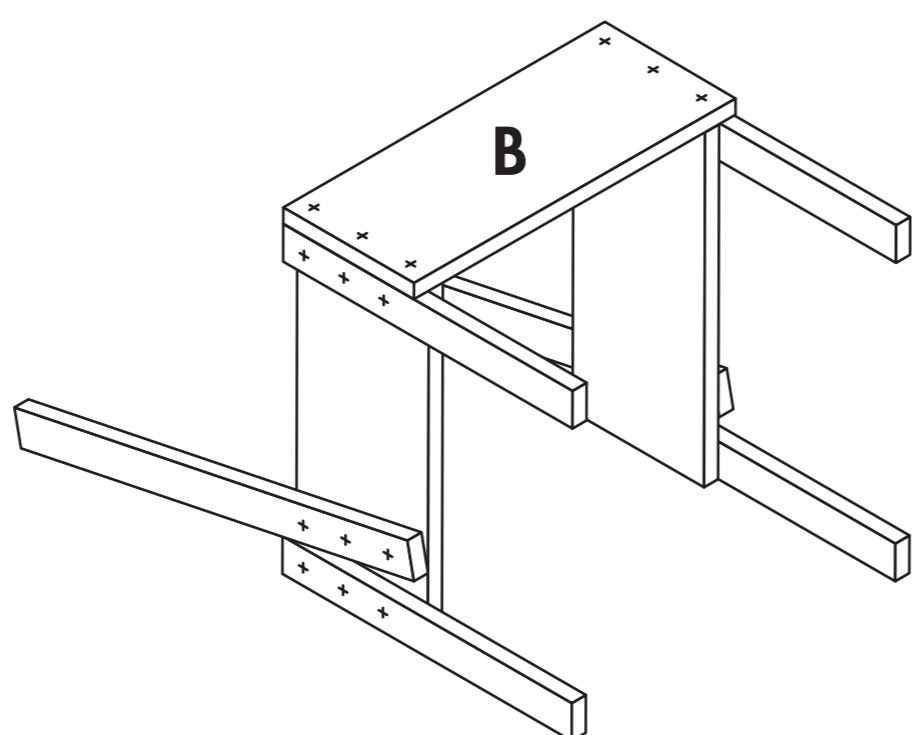


Fig.4

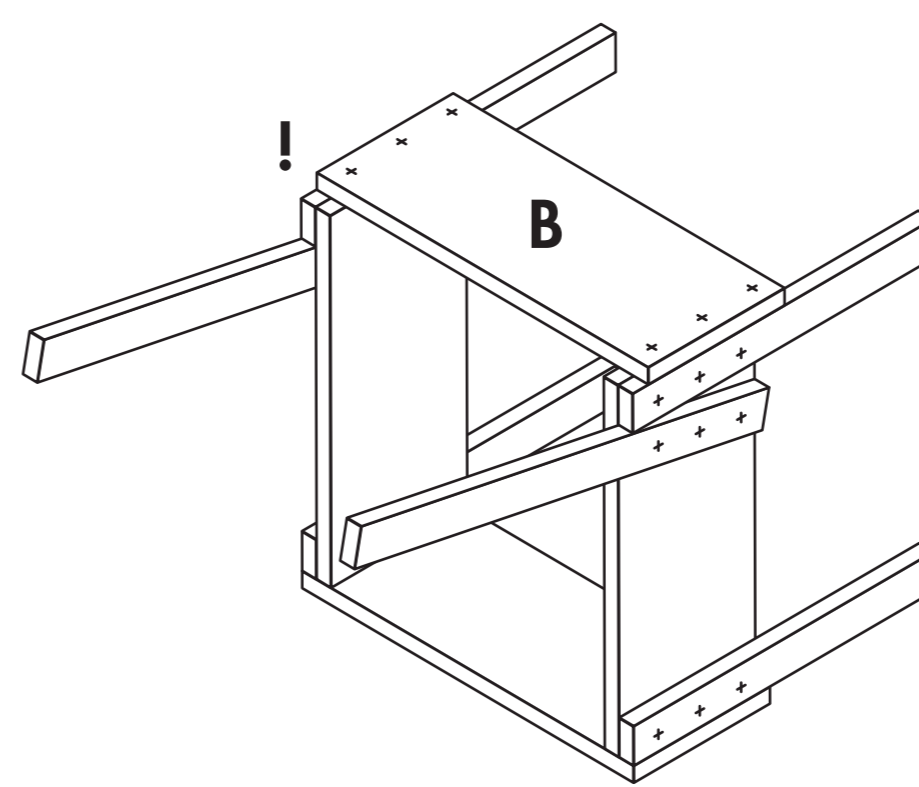


Fig.5

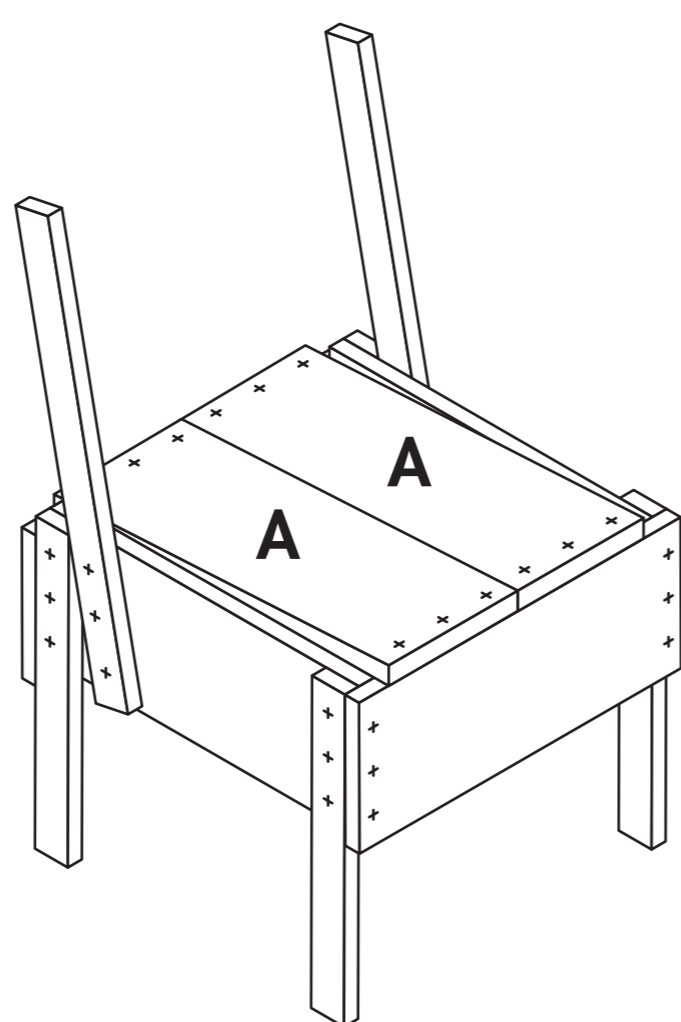
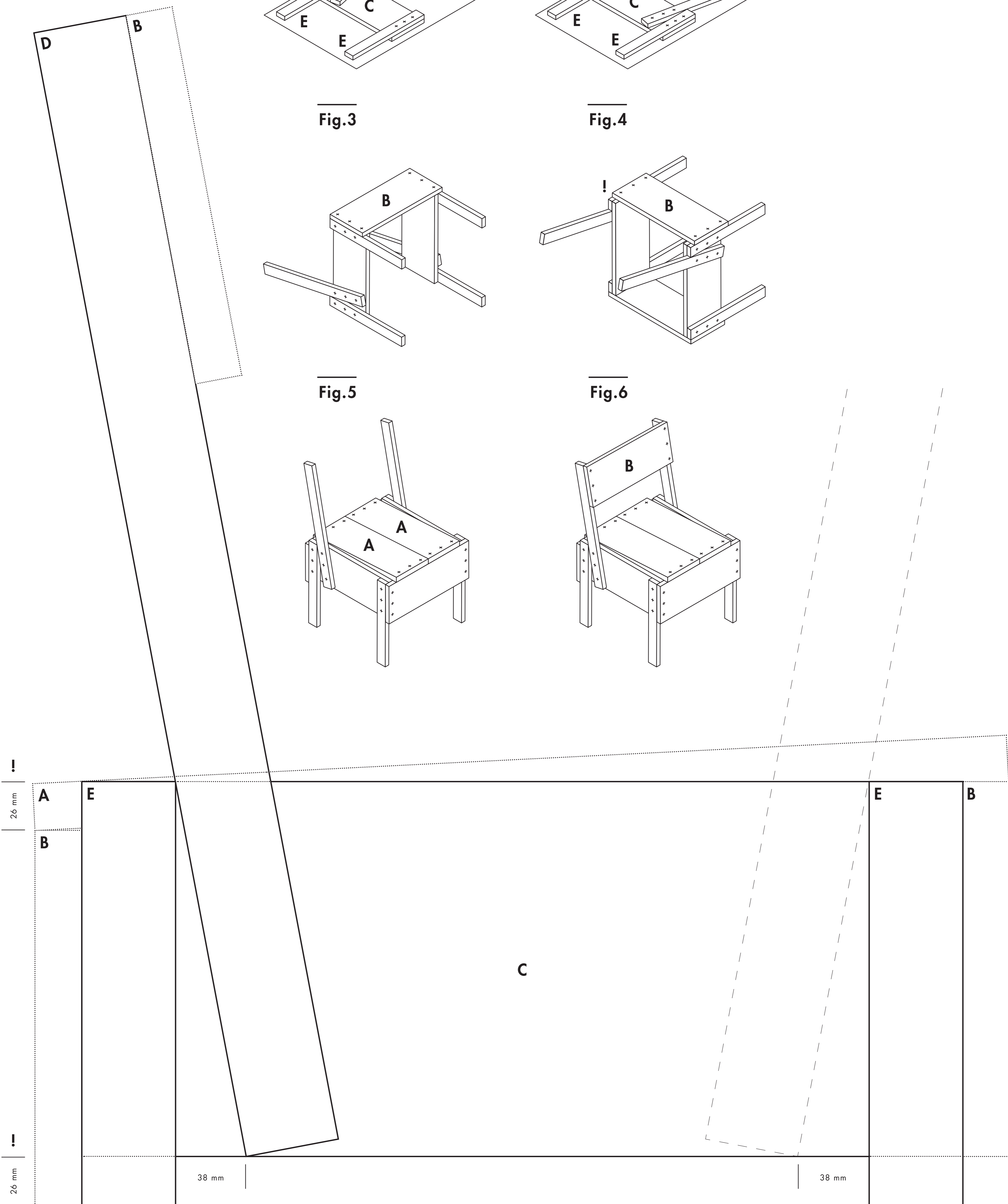
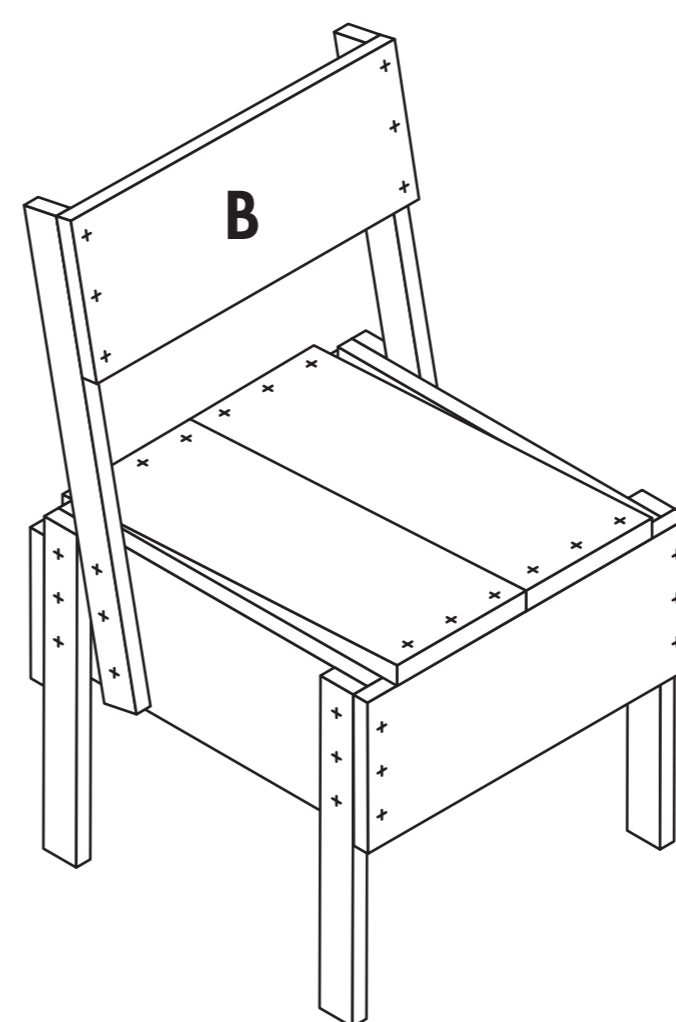


Fig.6



## Sedia 1

Designed by Enzo Mari

1974

### Package contains

Item	Section (mm)	Length (mm)	Qty
A	200 × 25	520	2
B	"	500	3
C	"	470	2
D	50 × 25	610	2
E	"	440	4
Nails		45	50
Sample screw			1
Hammering practice block			1

Scale 1:1